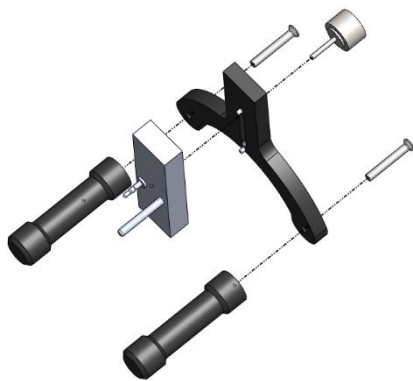

SLEEX and SLEEX-T

SLEEX

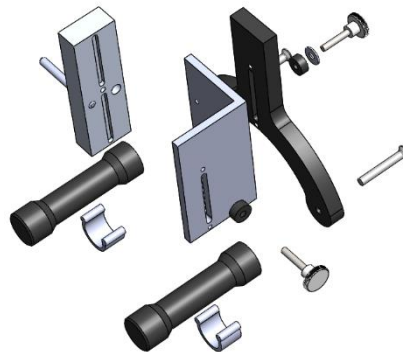
Standard mount to easy the positioning of the FLEX³PRO Sensor head on a sleeve. The SLEEX can be used for sleeves with a diameter higher than 95mm / 3.74Inch or repeat length higher than 300mm / 11.75Inch.



The SLEEX can be assembled such as the Sensor head will be orientated parallel to the sleeve or orthogonal.



Parallel mounting



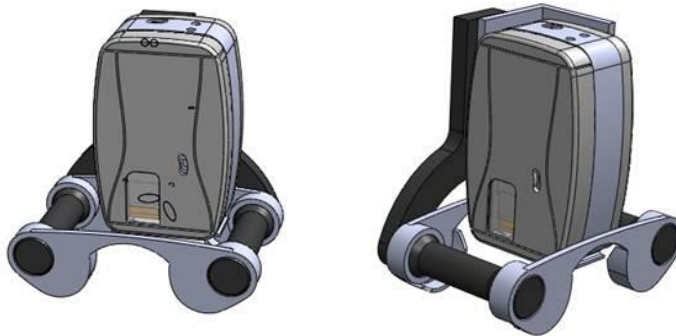
orthogonal mounting

SLEEX-T

For additional applications like short repeat length sleeves, cans, tubes the SLEEX-T offers additional components, that can easily be attached to the SLEEX.



Small Sleeves:



Tubes, cans,...

